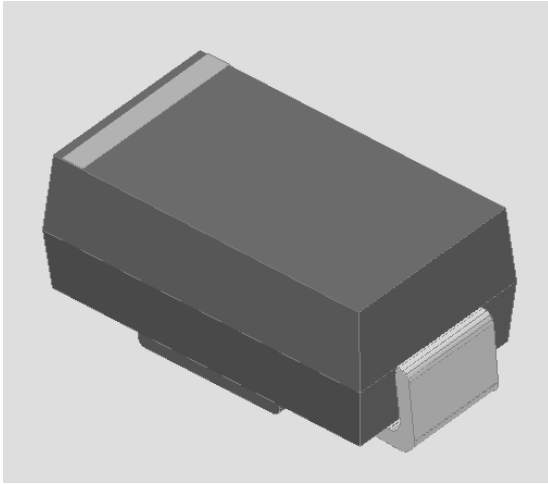


## Surface Mount Schottky Rectifier



### Features

- Low profile package
- Ideal for automated placement
- Guardring for overvoltage protection
- Low power losses, high efficiency
- High forward surge capability
- Meets MSL level 1, per J-STD-020, LF maximum peak of 260 °C
- Part no. with suffix "Q" means AEC-Q101 qualified

### Typical Applications

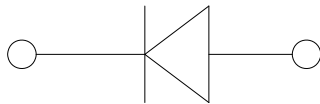
For use in low voltage high frequency inverters, freewheeling, DC/DC converters, automotive and polarity protection applications.

### Mechanical Data

**Package:** DO-214AC (SMA)

Molding compound meets UL 94V-0. Terminal leads, solderable per J-STD-002 and JESD22-B102

**Polarity:** Cathode line denotes the cathode end



### Maximum Ratings (T<sub>a</sub>=25 °C Unless otherwise specified)

PARAMETER	SYMBOL	UNIT	SS32AQ	SS33AQ	SS34AQ
Repetitive peak reverse voltage	V <sub>RRM</sub>	V	20	30	40
Maximum RMS voltage	V <sub>RMS</sub>	V	14	21	28
Maximum DC blocking voltage	V <sub>DC</sub>	V	20	30	40
Maximum average forward current (Fig. 1)	I <sub>O</sub>	A	3.0		
Surge (non-repetitive) forward current 4 * 1/2 sine wave 1 cycle	I <sub>FSM</sub>	A	10	15	20
Storage temperature range	T <sub>STG</sub>	°C	-55 ~ +150		

### Electrical Characteristics (T<sub>a</sub>=25 °C Unless otherwise specified)

PARAMETER	SYMBOL	TEST CONDITIONS	TYP	MAX	UNIT	
Instantaneous forward voltage	V <sub>F</sub>	I <sub>F</sub> =3A	T <sub>J</sub> =25	0.48	0.5	V
			T <sub>J</sub> =125	0.41	0.45	
Reverse current	I <sub>R</sub>	Rated V <sub>R</sub>	T <sub>J</sub> =25	15	100	μA
			T <sub>J</sub> =125	-	30	mA
Typical junction capacitance	C <sub>J</sub>	V <sub>R</sub> =4V, f=1MHz	150	-	pF	

# SS32AQ THRU SS34AQ

---

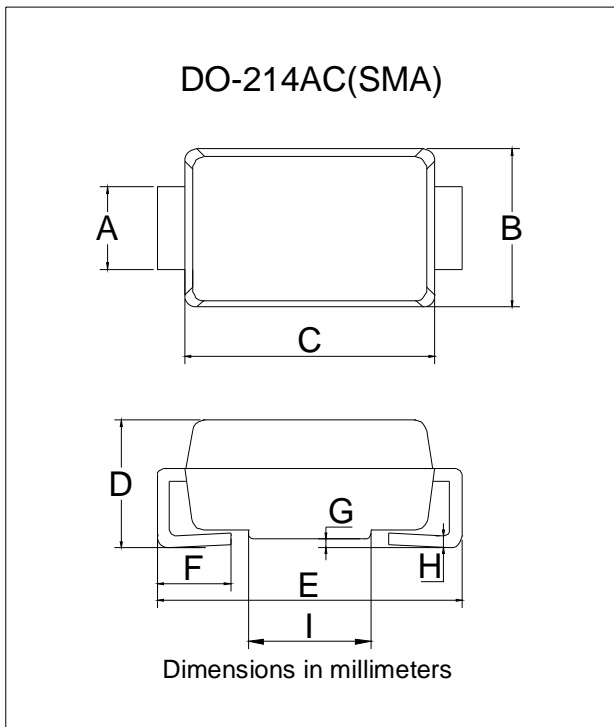
**Thermal Characteristics** ( $T_a=25$  Unless otherwise specified)

PARAMETER	SYMBOL	UNIT	SS32AQ	SS33AQ	SS34AQ
-----------	--------	------	--------	--------	--------



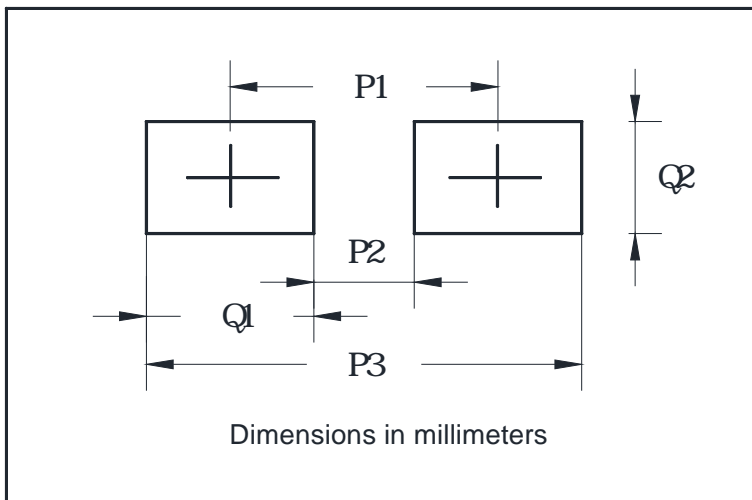
# SS32AQ THRU SS34AQ

## Outline Dimensions



DO-214AC(SMA)		
Dim	Min	Max
A	1.25	1.58
B	2.40	2.83
C	4.00	4.75
D	1.90	2.30
E	4.93	5.28
F	0.76	1.41
G	0.05	0.20
H	0.15	0.31
I	1.7	2.1

## Suggested Pad Layout



DO-214AC(SMA)	
Dim	Millimeters
P1	4.00
P2	1.50
P3	6.50
Q1	2.50
Q2	1.70

